



## Technical Data Sheet

### U-WASHER Anti-wind lift system 35 mm

#### COMPONENTS

U-WASHER 35 mm is composed of 1 piece

#### CHARACTERISTICS

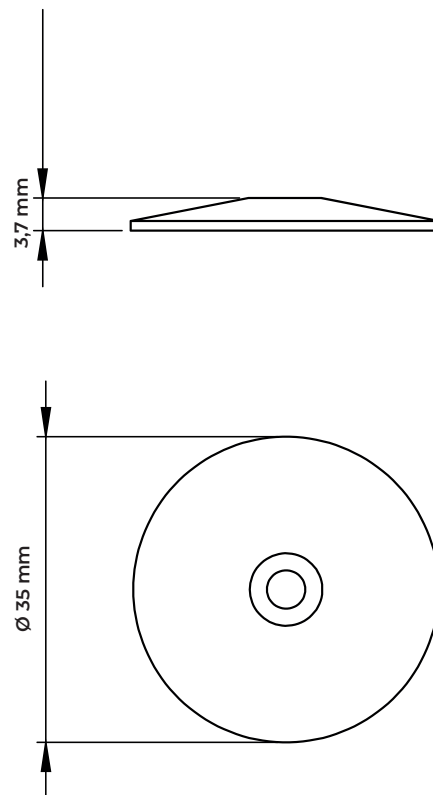
Weight: 0,007kg  
 Material: Stainless steel 316 (V4A)  
 Color: Powder coated Ral9005 black  
 E-modul: ca. 180.000 N/mm<sup>2</sup>  
 Expansion coefficient:  $16 \cdot 10^{-6} 1/K$   
 Compatible with all pedestals.  
 U-Washer is available in various colours to adapt perfectly to the colours of the pavers.

#### PACKAGING

Pieces per carton: 240 pcs  
 Carton weight: 1,85 kg  
 Carton dimension: 190 x 90 x 145 mm

#### FIXATION

PB-Series: U-Washer vis + PB-kit 1 + PB-Tabs 4,5MM  
 DPH-Series: U-Washer vis + DPH-Tabs 4,5 MM POM WR  
 BC-Series: U-Washer vis + PB-Kit 1+ BC-Tabs 4,5MM



#### APPLICATIONS

U-WASHER kit installs easily on all paving and prevents them from lifting in case of strong gusts of wind.

#### SAFETY INSTRUCTIONS

Buzon pedestals are designed to support external raised floors for pedestrian traffic only and are not designed to support or be subjected to moving and/or vibrating machinery & equipment, including maintenance, cleaning vehicles, automobiles and other similar equipment.

