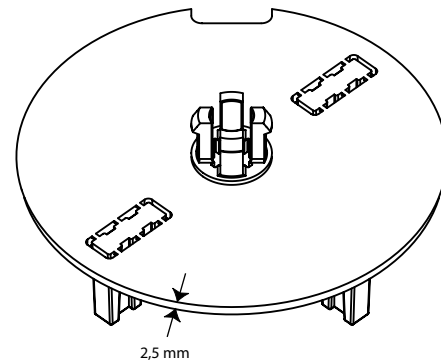
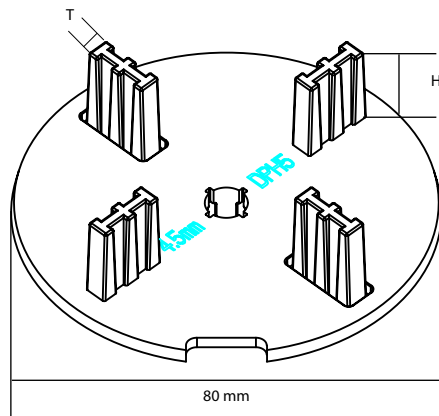


SPACER TABS



Height/Width range

For achieving uniform gaps between used decking material.

Fixed to top of pedestal by clipping in only.

Height (H) : 25mm - Thickness (T) : Available in 2, 3, 4,5, 6, 8 and 10mm.

Height (H) : 17mm - Thickness (T) : Available in 3 and 4,5mm.

Material

Co-polymer polypropylene (CPP)

Composition: 80% CPP **recycled**, 20% talc + UV master batch black, and 100% recyclable.

Dimensions

Diameter (D) : 80mm

Thickness : 2,5 mm

Performance characteristics

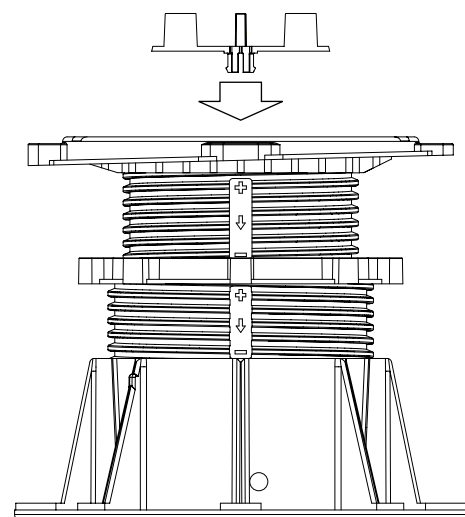
Resistant to aging, poor weather conditions, UV light, almost all chemicals, and rot proof.

Suitable for use in temperatures from -30°C to +90°C.

Application

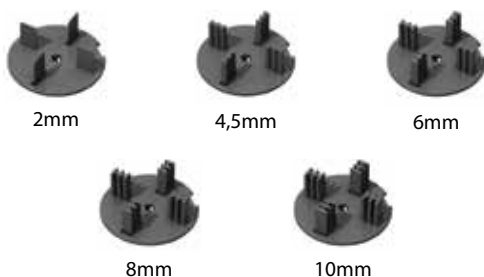
Support for raised decks. Can support ceramic, stone, concrete paving, wood tiles or flag material, as well as fibreglass or metal grid panels.

Suitable for any kind of stable substrate, including applications directly over insulation panels.



Widths

Height : 25mm



Height : 17mm

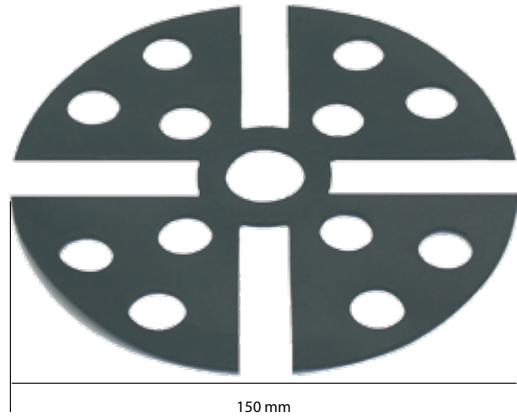
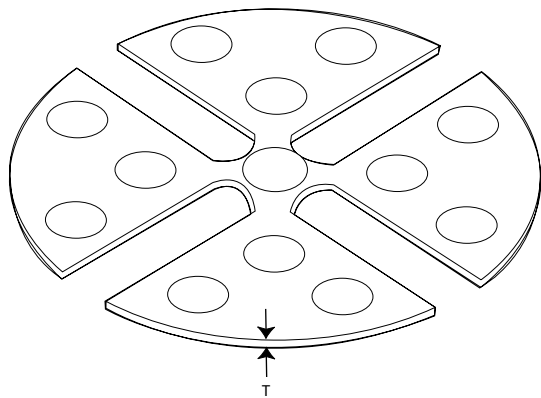


Buzon Pedestal International s.a. / n.v.

Z.I. des Hauts-Sarts, Zone 1 – Prolongement rue de l'Abbaye, 134 – B-4040 Herstal – Belgium

Tel +32 (0) 4 248 39 83 Fax +32 (0) 4 264 82 38 E-Mail info@buzon-world.com www.buzon-world.com

SHIMS



Thickness (T)

BC-E10 : 1 mm

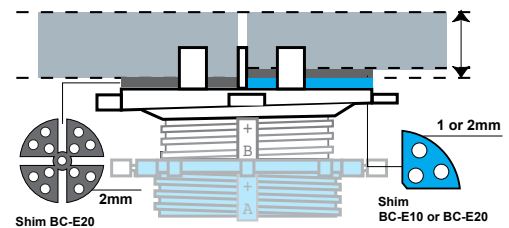
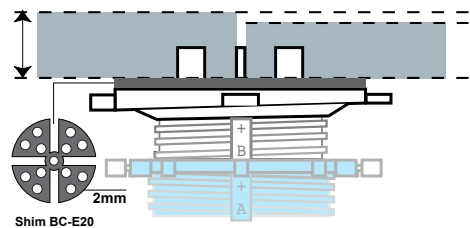
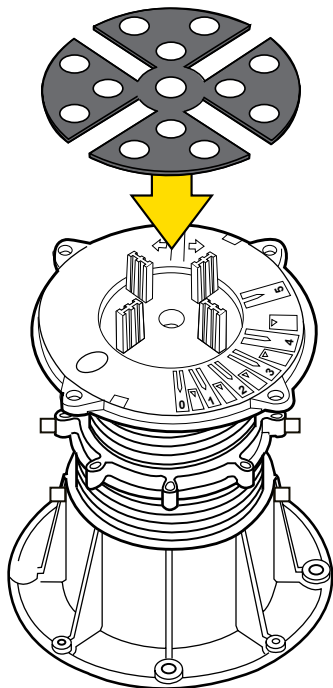
BC-E20 : 2 mm

Material

Reinforced EPDM (Shore 60)

Application

For use with marble, stone, granite, ceramic, etc.. tiles to give : better anti-slip and acoustic performance, shock absorption, compensation for irregularities in the thickness of paving materials.

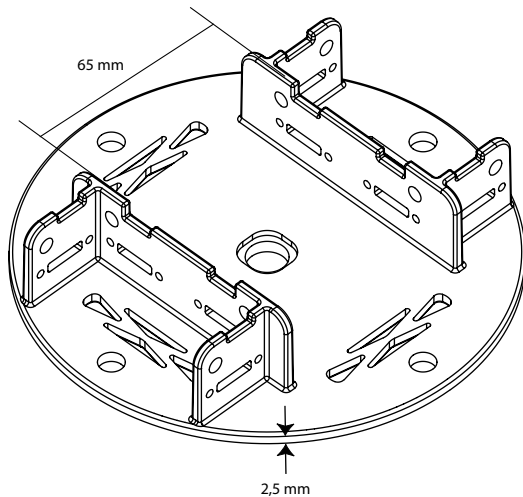


Buzon Pedestal International s.a. / n.v.

Z.I. des Hauts-Sarts, Zone 1 – Prolongement rue de l'Abbaye, 134 – B-4040 Herstal – Belgium

Tel +32 (0) 4 248 39 83 Fax +32 (0) 4 264 82 38 E-Mail info@buzon-world.com www.buzon-world.com

BATTEN HOLDER



Batten Holder

Support width : maximum 65mm.

Fixing holes on both sides of the support for mechanical fixing with stainless steel screws. A positioning pin fixes the support to the head of the pedestal and locked in place by a locking plug.

The batten holder can rotate freely through 360°.

Material

Co-polymer polypropylene (CPP)

Composition: 80% CPP **recycled**, 20% talc + UV master batch black, and 100% recyclable.

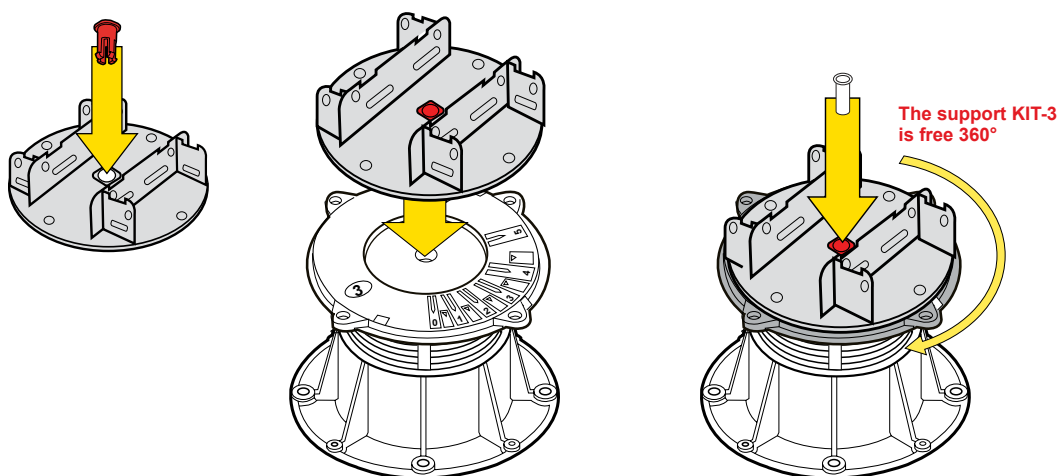
Performance characteristics

Resistant to aging, poor weather conditions, UV light, almost all chemicals, and rot proof.

Suitable for use in temperatures from -30°C to +90°C.

Application

Supports any type of substructure : timber battens, composite battens, aluminum or steel battens.



Buzon Pedestal International s.a. / n.v.

Z.I. des Hauts-Sarts, Zone 1 – Prolongement rue de l'Abbaye, 134 – B-4040 Herstal – Belgium

Tel +32 (0) 4 248 39 83 Fax +32 (0) 4 264 82 38 E-Mail info@buzon-world.com www.buzon-world.com