



Technical Data Sheet

PB-0-S12 – Adjustable from 12 to 18 mm

COMPONENTS

The **PB-0-S12** is composed of 2 pieces.

CHARACTERISTICS

Diameter: \varnothing 170 mm, 227 cm²

Base: \varnothing 197 mm, 305 cm²

Weight: 180 gr

Adjustable height from 12 to 18 mm.

With addition of U-PH5 slope corrector, the PB-S is adjustable in height from 26 to 32 mm and slope from 0 to 5%.

MATERIAL

Copolymer polypropylene (CPP)

Composition: +/- 80% first grade pre-selected recycled PPC, and +/- 20% Talc + Masterbatch black

Designed and manufactured in Europe.

Use of recycled materials exclusively of EU origin.

Resistant to weathering, sea salts, algae and a wide range of chemicals.

Temperature range: -30 °C to +80 °C.

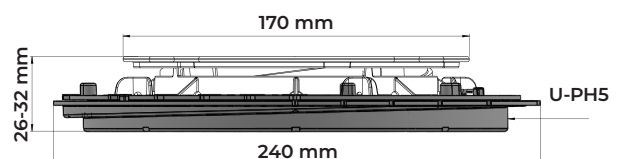
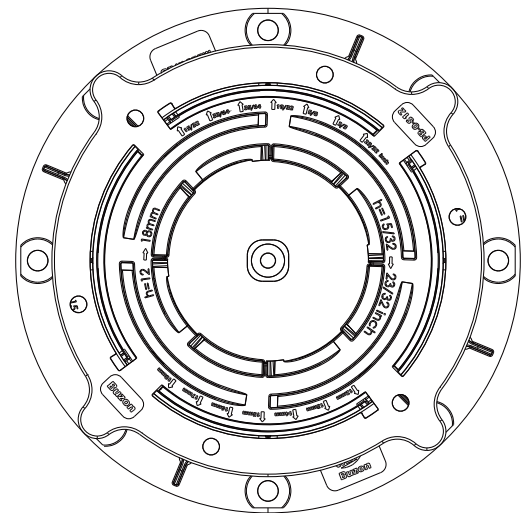
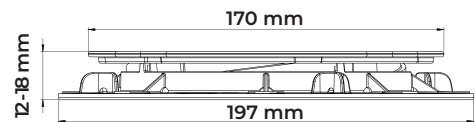
PACKAGING

Pieces per carton: 48 pcs

Carton weight: 8.53 kg

Pieces per pallet: 4800 pcs

Pallet dimensions: 100 x 120 cm



APPLICATIONS

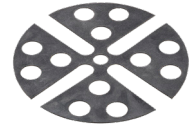
Buzon pedestals can be used for a wide range of outdoor applications, such as terraces, pool decks and water features, in landscape areas and on rooftops... Finishing materials can be freely specified by the designer. Accessories are available for applications with various outdoor finishes, such as granite stone pavers, composite / timber decking, ceramic tiles and fibreglass or metal grating panels. Buzon pedestals can be installed on a wide range of solid and stable substrates, such as concrete slabs, cement screeds, waterproof membranes, insulation panels.

Spacer Tabs



Thickness:
2, 3 and 4,5 mm

Shims



U-E10 (1 mm)
U-E20 (2 mm)

COMPRESSION TEST*

Performed on the full (1/1), half (1/2) and quarter (1/4) surface of the head (1kN = 1kg/ F = 224,8 lbF)

Position	Height (mm)	Breaking load (kN)	Breaking load (lbF)
1/1	18	27,30 (2730 kg)	6081
1/2	18	9,67 (967 kg)	2177
1/4	18	4,20 (420 kg)	947

* Tests carried out by SIRRIS

** The yield point is the stress from which a material stops deforming in an elastic, reversible manner and thus begins to irreversibly deform (ISO472 :2013)

SAFETY INSTRUCTIONS

Buzon pedestals are designed to support external raised floors for pedestrian traffic only and are not designed to support or be subjected to moving and/or vibrating machinery & equipment, including maintenance, cleaning vehicles, automobiles and other similar equipment.

Buzon has a policy of continuous improvement and reserves the right to modify, revise or change the above specifications without notice. This brochure is for descriptive purpose only and is based on the product as on the date of publication of this information.





Technical Data Sheet-PB

PB-0-S18 Adjustable from **18 to 28 mm**

COMPONENTS

The PB-0-S18 is composed of 2 pieces
(Top + base)

CHARACTERISTICS

Top: \varnothing 170 mm, 227 cm²

Base: \varnothing 197 mm, 305 cm²

Weight: 195 gr

Height adjustable from 18 to 28 mm

With addition of U-PH5 slope corrector, the PB-S is adjustable in height from 32 to 42 mm and slope from 0 to 5%

MATERIAL

Copolymer polypropylene (CPP)

Composition: +/-80% first grade pre-selected recycled PPC, and +/-20% Talc + Masterbatch black

Designed and manufactured in Europe

Use of recycled materials exclusively of EU origin

Resistant to weathering, sea salts, algae and a wide range of chemicals

Temperature range: -30 °C to +80 °C

PACKAGING

Pieces per carton: 24 pedestals

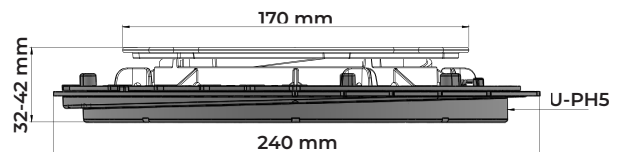
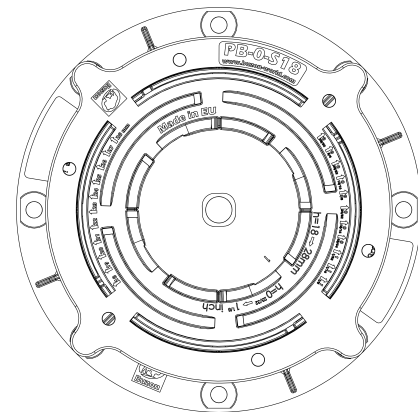
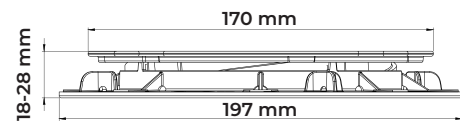
Carton weight: 5,16 kg

Carton dimension: 602 x 402 x 105 mm

Cartons per pallet: 120 pcs

Pieces per pallet: 2880 pcs

Pallet dimensions: 100 x 120 x 221 cm



APPLICATIONS

Buzon pedestals can be used for a wide range of outdoor applications, such as terraces, pool decks and water features, in landscape areas and on rooftops... Finishing materials can be freely specified by the designer. Accessories are available for applications with various outdoor finishes, such as granite stone pavers, composite / timber decking, ceramic tiles and fibreglass or metal grating panels. Buzon pedestals can be installed on a wide range of solid and stable substrates, such as concrete slabs, cement screeds, waterproof membranes, insulation panels.

Batten Holder



DPH-KIT-5

Batten Holder

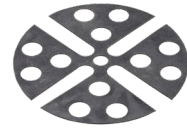


Spacer Tabs



Thickness:
2, 3 and 4,5mm

Shims



U-E10 (T- 1mm)
U-E20 (T- 2mm)

COMPRESSION TEST*

Performed on the full (1/1), half (1/2) and quarter (1/4) surface of the head (1kN= 1kg/F= 224,8 lbF)

Position	Height (mm)	Yield strength** (kN)	Yield strength (lbF)	Breaking load (kN)	Breaking load (lbF)
1/1	28	10 (1000 kg)	2248	21,43 (2143 kg)	4817
1/2	28	5 (500 kg)	1124	11,52 (1152 kg)	2590
1/4	28	2,5 (250 kg)	562	6,18 (618 kg)	1389

* Tests carried out by SIRRIS at 23%/50%

** Maximum load per pedestal : refer to value 1/1

** Safety recommendation for use of Buzon Pedestals System :

1. Areas reserved for pedestrian access: divide the load indicated in the table by 2 with an additional safety factor of -15%.
2. Areas reserved for industrial and technical applications: divide the load indicated in the table by 4 with an additional safety factor of -15%.

SAFETY INSTRUCTIONS

Buzon pedestals are designed to support external raised floors for pedestrian traffic only and are not designed to support or be subjected to moving and/or vibrating machinery & equipment, including maintenance, cleaning vehicles, automobiles and other similar equipment.



Buzon has a policy of continuous improvement and reserves the right to modify, revise or change the above specifications without notice. This brochure is for descriptive purpose only and is based on the product as on the date of publication of this information.



www.buzon-world.com



Technical Data Sheet-PB

PB-01 Adjustable from 28 to 42 mm

COMPONENTS

The PB-01 is composed of 2 pieces
(PB Top + PB base)

CHARACTERISTICS

Top: \varnothing 170 mm, 227 cm²

Base: \varnothing 197 mm, 305 cm²

Weight: 232 gr

Height adjustable from 28 to 42 mm

With addition of U-PH5 slope corrector, adjustable in height from 42 to 56 mm and slope from 0 to 5%

MATERIAL

Copolymer polypropylene (CPP) made from 95% recycled plastics

Designed and manufactured in Europe

Use of recycled materials exclusively of EU origin

Resistant to weathering, sea salts, algae and a wide range of chemicals

-Temperature range: -30 C° to +80 C°

PACKAGING

Pieces per carton: 24 pcs

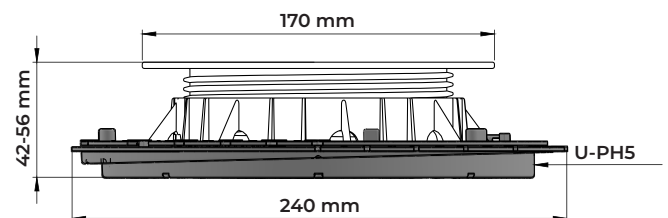
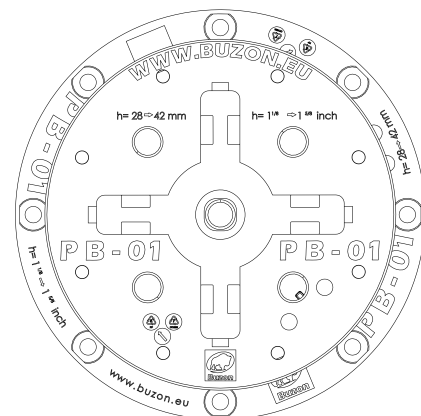
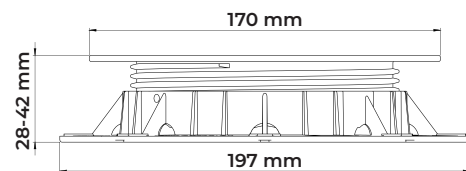
Carton weight: 6,07 kg

Carton dimension: 600 x 400 x 120 mm

Cartons per pallet: 80 pcs

Pieces per pallet: 1920 pcs

Pallet dimensions: 100 x 120 x 221 cm



APPLICATIONS

Buzon pedestals can be used for a wide range of outdoor applications, such as terraces, pool decks and water features, in landscape areas and on rooftops... Finishing materials can be freely specified by the designer. Accessories are available for applications with various outdoor finishes, such as granite stone pavers, composite / timber decking, ceramic tiles and fibreglass or metal grating panels. Buzon pedestals can be installed on a wide range of solid and stable substrates, such as concrete slabs, cement screeds, waterproof membranes, insulation panels.

Batten Holder



Aluminium Rail Holder



Spacer Tabs



Thickness:
2, 3 and 4,5mm

Shims



U-E10 (T- 1mm)
U-E20 (T- 2mm)

COMPRESSION TEST*

Performed on the full (1/1), half (1/2) and quarter (1/4) surface of the head (1kN= 1kg/F= 224,8 lbf)

Position	Height (mm)	Breaking load (kN)	Breaking load (lbf)
1/1	42	11,26 (1126 kg)	2 534
1/2 **	42	6,97 (697 kg)	1 570
1/4 **	42	4,27 (427 kg)	961

* Tests carried out by SIRRIS at 23%/50%

** Maximum load per pedestal : refer to value 1/1

** Safety recommendation for use of Buzon Pedestals System :

1. Areas reserved for pedestrian access: divide the load indicated in the table by 2 with an additional safety factor of -15%.
2. Areas reserved for industrial and technical applications: divide the load indicated in the table by 4 with an additional safety factor of -15%.

SAFETY INSTRUCTIONS

Buzon pedestals are designed to support external raised floors for pedestrian traffic only and are not designed to support or be subjected to moving and/or vibrating machinery & equipment, including maintenance, cleaning vehicles, automobiles and other similar equipment.



Buzon has a policy of continuous improvement and reserves the right to modify, revise or change the above specifications without notice. This brochure is for descriptive purpose only and is based on the product as on the date of publication of this information.

BPI21 © Copyright Buzon Pedestal International SA Buzon
DPH® is a registered trade mark of Buzon Pedestal International SA.



www.buzon-world.com



Technical Data Sheet-PB

PB-1 Adjustable from 42 to 60 mm

COMPONENTS

The PB-1 is composed by 2 pieces
(PB Top + PB base)

CHARACTERISTICS

Top: \varnothing 170 mm, 227 cm²

Base: \varnothing 197 mm, 305 cm²

Weight: 309 gr

Height adjustable from 42 to 60 mm

With addition of U-PH5 slope corrector, adjustable in height from 56 to 74 mm and slope from 0 to 5%

MATERIAL

Copolymer polypropylene (CPP) made from 95% recycled plastics

Designed and manufactured in Europe

Use of recycled materials exclusively of EU origin

Resistant to weathering, sea salts, algae and a wide range of chemicals

Temperature range: -30 C° to +80 C°

PACKAGING

Pieces per carton: 24 pcs

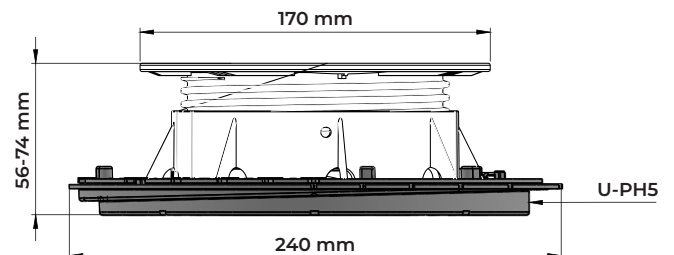
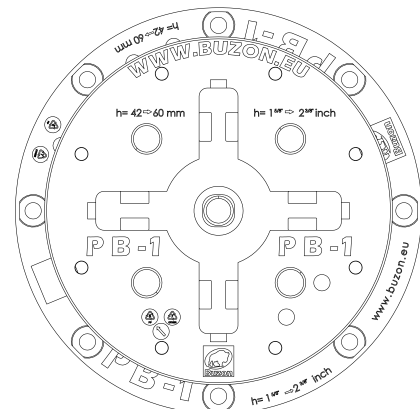
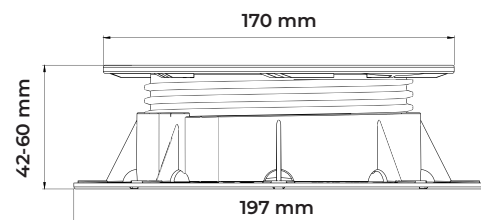
Carton weight: 8,02 kg

Carton dimension: 600 x 400 x 190 mm

Cartons per pallet: 55 pcs

Pieces per pallet: 1320 pcs

Pallet dimensions: 100 x 120 x 218 cm



APPLICATIONS

Buzon pedestals can be used for a wide range of outdoor applications, such as terraces, pool decks and water features, in landscape areas and on rooftops... Finishing materials can be freely specified by the designer. Accessories are available for applications with various outdoor finishes, such as granite stone pavers, composite / timber decking, ceramic tiles and fibreglass or metal grating panels. Buzon pedestals can be installed on a wide range of solid and stable substrates, such as concrete slabs, cement screeds, waterproof membranes, insulation panels.

Batten Holder



Aluminium Rail Holder

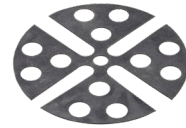


Spacer Tabs



Thickness:
2, 3 and 4,5mm

Shims



U-E10 (T- 1mm)
U-E20 (T- 2mm)

COMPRESSION TEST*

Performed on the full (1/1), half (1/2) and quarter (1/4) surface of the head (1kN= 1kg/F= 224,8 lbf)

Position	Height (mm)	Breaking load (kN)	Breaking load (lbf)
1/1	60	14,33 (1 433 kg)	3 225
1/2 **	60	10,34 (1 034 kg)	2 328
1/4 **	60	7,27 (727 kg)	1 636

*Tests carried out by SIRRIS at 23%/50%

** Maximum load per pedestal : refer to value 1/1

** Safety recommendation for use of Buzon Pedestals System :

1. Areas reserved for pedestrian access: divide the load indicated in the table by 2 with an additional safety factor of -15%.
2. Areas reserved for industrial and technical applications: divide the load indicated in the table by 4 with an additional safety factor of -15%.

SAFETY INSTRUCTIONS

Buzon pedestals are designed to support external raised floors for pedestrian traffic only and are not designed to support or be subjected to moving and/or vibrating machinery & equipment, including maintenance, cleaning vehicles, automobiles and other similar equipment.



Buzon has a policy of continuous improvement and reserves the right to modify, revise or change the above specifications without notice. This brochure is for descriptive purpose only and is based on the product as on the date of publication of this information.

BPI21 © Copyright Buzon Pedestal International SA Buzon
DPH® is a registered trade mark of Buzon Pedestal International SA.



www.buzon-world.com



Technical Data Sheet-PB

PB-2 Adjustable from 60 to 90 mm

COMPONENTS

The PB-2 is composed of 2 pieces
(PB Top + PB base)

CHARACTERISTICS

Top: \varnothing 170 mm, 227 cm²

Base: \varnothing 197 mm, 305 cm²

Weight: 389 gr

Height adjustable from 60 to 90 mm

With addition of U-PH5 slope corrector,
adjustable in height from 74 to 104 mm and
slope from 0 to 5%

MATERIAL

Copolymer polypropylene (CPP) made from 95%
recycled plastics

Designed and manufactured in Europe

Use of recycled materials exclusively of EU origin

Resistant to weathering, sea salts, algae and a wide range
of chemicals

Temperature range: -30 C° to +80 C°

PACKAGING

Pieces per carton: 24 pcs

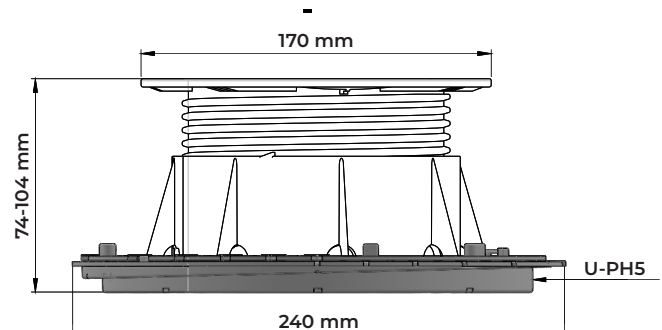
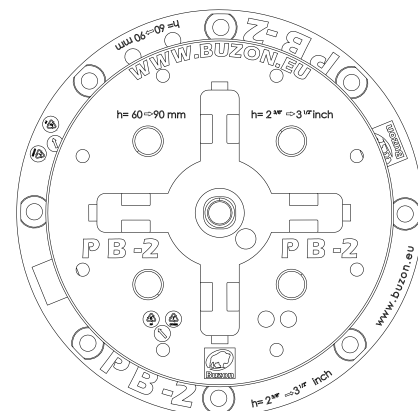
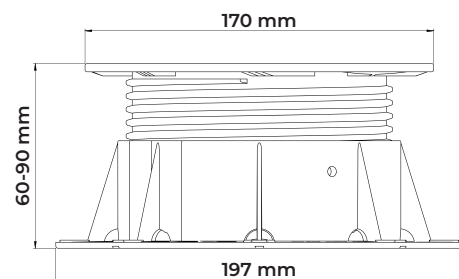
Carton weight: 10,14 kg

Carton dimension: 600 x 400 x 270 mm

Cartons per pallet: 40 pcs

Pieces per pallet: 960 pcs

Pallet dimensions: 100 x 120 x 224 cm



APPLICATIONS

Buzon pedestals can be used for a wide range of outdoor applications, such as terraces, pool decks and water features, in landscape areas and on rooftops... Finishing materials can be freely specified by the designer. Accessories are available for applications with various outdoor finishes, such as granite stone pavers, composite / timber decking, ceramic tiles and fibreglass or metal grating panels. Buzon pedestals can be installed on a wide range of solid and stable substrates, such as concrete slabs, cement screeds, waterproof membranes, insulation panels.

Batten Holder



Aluminium Rail Holder



Spacer Tabs



Thickness:
2, 3 and 4,5mm

Shims



U-E10 (T- 1mm)
U-E20 (T- 2mm)

COMPRESSION TEST*

Performed on the full (1/1), half (1/2) and quarter (1/4) surface of the head (1kN= 1kg/F= 224,8 lbF)

Position	Height (mm)	Breaking load (kN)	Breaking load (lbF)
1/1	90	14,53 (1 453 kg)	3 269
1/2 **	90	9,77 (977 kg)	2 198
1/4 **	90	6,13 (612 kg)	1380

* Tests carried out by SIRRIS at 23%/50%

** Maximum load per pedestal : refer to value 1/1

** Safety recommendation for use of Buzon Pedestals System :

1. Areas reserved for pedestrian access: divide the load indicated in the table by 2 with an additional safety factor of -15%.
2. Areas reserved for industrial and technical applications: divide the load indicated in the table by 4 with an additional safety factor of -15%.

SAFETY INSTRUCTIONS

Buzon pedestals are designed to support external raised floors for pedestrian traffic only and are not designed to support or be subjected to moving and/or vibrating machinery & equipment, including maintenance, cleaning vehicles, automobiles and other similar equipment.



Buzon has a policy of continuous improvement and reserves the right to modify, revise or change the above specifications without notice. This brochure is for descriptive purpose only and is based on the product as on the date of publication of this information.

BPI21 © Copyright Buzon Pedestal International SA Buzon
DPH® is a registered trade mark of Buzon Pedestal International SA.



Technical Data Sheet-PB

PB-3 Adjustable from 90 to 145 mm

COMPONENTS

The PB-3 is composed of 2 pieces
(PB Top + PB base)

CHARACTERISTICS

Top: \varnothing 170 mm, 227 cm²

Base: \varnothing 197 mm, 305 cm²

Weight: 492 gr

Height adjustable from 90 to 145 mm

With addition of U-PH5 slope corrector, adjustable in height from 104 to 159 mm and slope from 0 to 5%

MATERIAL

Copolymer polypropylene (CPP) made from 95% recycled plastics

Designed and manufactured in Europe

Use of recycled materials exclusively of EU origin

Resistant to weathering, sea salts, algae and a wide range of chemicals

Temperature range: -30 C° to +80 C°

PACKAGING

Pieces per carton: 24 pcs

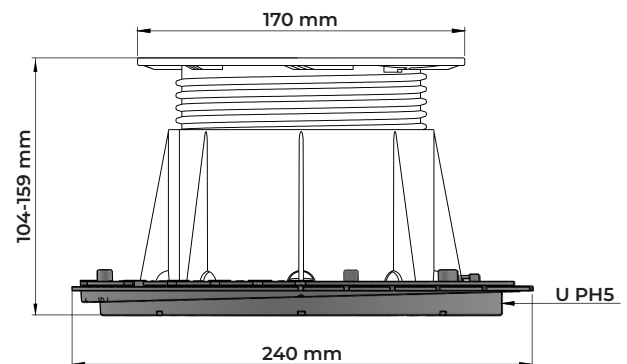
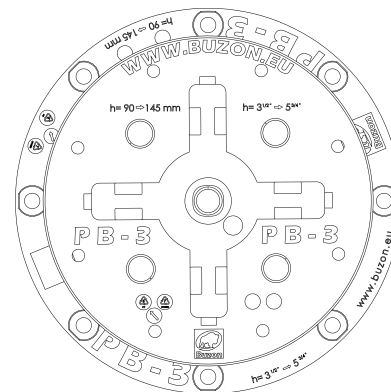
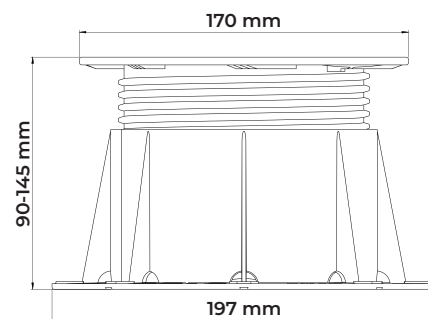
Carton weight: 12,71 kg

Carton dimension: 600 x 400 x 280 mm

Cartons per pallet: 25 pcs

Pieces per pallet: 600 pcs

Pallet dimensions: 100 x 120 x 220 cm



APPLICATIONS

Buzon pedestals can be used for a wide range of outdoor applications, such as terraces, pool decks and water features, in landscape areas and on rooftops... Finishing materials can be freely specified by the designer. Accessories are available for applications with various outdoor finishes, such as granite stone pavers, composite / timber decking, ceramic tiles and fibreglass or metal grating panels. Buzon pedestals can be installed on a wide range of solid and stable substrates, such as concrete slabs, cement screeds, waterproof membranes, insulation panels.

Batten Holder



Aluminium Rail Holder



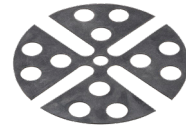
Spacer Tabs



Height:
17 mm

Thickness:
2, 3 and 4,5mm

Shims



U-E10 (T- 1mm)
U-E20 (T- 2mm)

COMPRESSION TEST*

Performed on the full (1/1), half (1/2) and quarter (1/4) surface of the head (1kN= 1kg/F= 224,8 lbf)

Position	Height (mm)	Breaking load (kN)	Breaking load (lbf)
1/1	145	16,29 (1 629 kg)	3 666
1/2 **	145	13,26 (1 326 kg)	2 984
1/4 **	145	8,86 (886 kg)	1 995

* Tests carried out by SIRRIS at 23%/50%

** Maximum load per pedestal : refer to value 1/1

** Safety recommendation for use of Buzon Pedestals System :

1. Areas reserved for pedestrian access: divide the load indicated in the table by 2 with an additional safety factor of -15%.
2. Areas reserved for industrial and technical applications: divide the load indicated in the table by 4 with an additional safety factor of -15%.

SAFETY INSTRUCTIONS

Buzon pedestals are designed to support external raised floors for pedestrian traffic only and are not designed to support or be subjected to moving and/or vibrating machinery & equipment, including maintenance, cleaning vehicles, automobiles and other similar equipment.



Buzon has a policy of continuous improvement and reserves the right to modify, revise or change the above specifications without notice. This brochure is for descriptive purpose only and is based on the product as on the date of publication of this information.

BPI21 © Copyright Buzon Pedestal International SA Buzon
DPH® is a registered trade mark of Buzon Pedestal International SA.



www.buzon-world.com



Technical Data Sheet-PB

PB-4 Adjustable from 145 to 245 mm

COMPONENTS

The PB-4 is composed of 2 pieces
(PB Top + PB base)

CHARACTERISTICS

Top: \varnothing 170 mm, 227 cm²

Base: \varnothing 197 mm, 305 cm²

Weight: 690 gr

Height adjustable from 145 to 245 mm

With addition of U-PH5 slope corrector, adjustable in height from 159 to 259 mm and slope from 0 to 5%

MATERIAL

Copolymer polypropylene (CPP) made from 95% recycled plastics

Designed and manufactured in Europe

Use of recycled materials exclusively of EU origin

Resistant to weathering, sea salts, algae and a wide range of chemicals

Temperature range: -30 C° to +80 C°

PACKAGING

Pieces per carton: 24 pcs

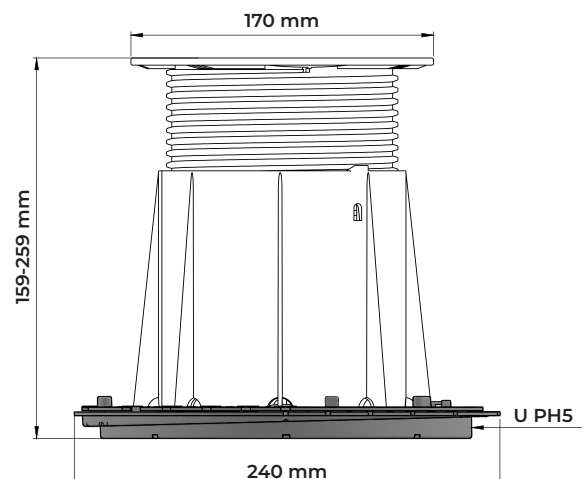
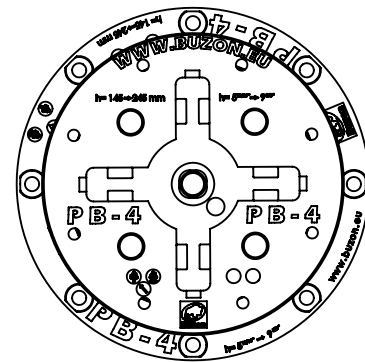
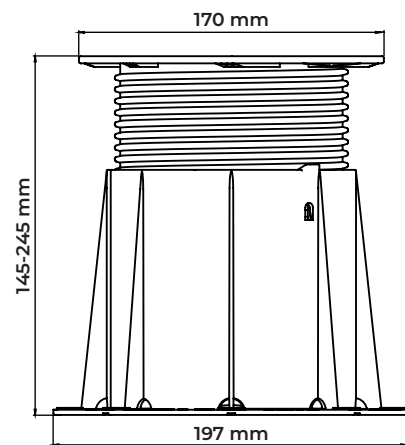
Carton weight: 17,76 kg

Carton dimension: 600 x 400 x 610 mm

Cartons per pallet: 15 pcs

Pieces per pallet: 360 pcs

Pallet dimensions: 100 x 120 x 220 cm



APPLICATIONS

Buzon pedestals can be used for a wide range of outdoor applications, such as terraces, pool decks and water features, in landscape areas and on rooftops... Finishing materials can be freely specified by the designer. Accessories are available for applications with various outdoor finishes, such as granite stone pavers, composite / timber decking, ceramic tiles and fibreglass or metal grating panels. Buzon pedestals can be installed on a wide range of solid and stable substrates, such as concrete slabs, cement screeds, waterproof membranes, insulation panels.

Batten Holder



Aluminium Rail Holder



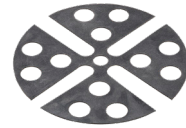
Spacer Tabs



Height:
17 mm

Thickness:
2, 3 and 4,5mm

Shims



U-E10 (T- 1mm)
U-E20 (T- 2mm)

COMPRESSION TEST*

Performed on the full (1/1), half (1/2) and quarter (1/4) surface of the head (1kN= 1kg/F= 224,8 lbf)

Position	Hauteur (mm)	Charge de rupture (kN)	Charge de rupture (lbf)
1/1	245	15,48 (1 548 kg)	3 483
1/2 **	245	13,74 (1 374 kg)	2 091
1/4 **	245	8,78 (878 kg)	1 977

* Tests carried out by SIRRIS at 23°/50%

** Maximum load per pedestal : refer to value 1/1

** Safety recommendation for use of Buzon Pedestals System :

1. Areas reserved for pedestrian access: divide the load indicated in the table by 2 with an additional safety factor of -15%.
2. Areas reserved for industrial and technical applications: divide the load indicated in the table by 4 with an additional safety factor of -15%.

SAFETY INSTRUCTIONS

Buzon pedestals are designed to support external raised floors for pedestrian traffic only and are not designed to support or be subjected to moving and/or vibrating machinery & equipment, including maintenance, cleaning vehicles, automobiles and other similar equipment.



Buzon has a policy of continuous improvement and reserves the right to modify, revise or change the above specifications without notice. This brochure is for descriptive purpose only and is based on the product as on the date of publication of this information.

BPI21 © Copyright Buzon Pedestal International SA Buzon
DPH® is a registered trade mark of Buzon Pedestal International SA.